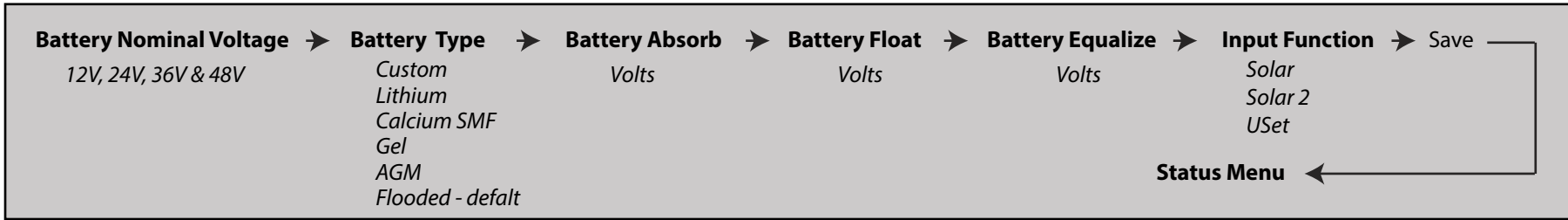
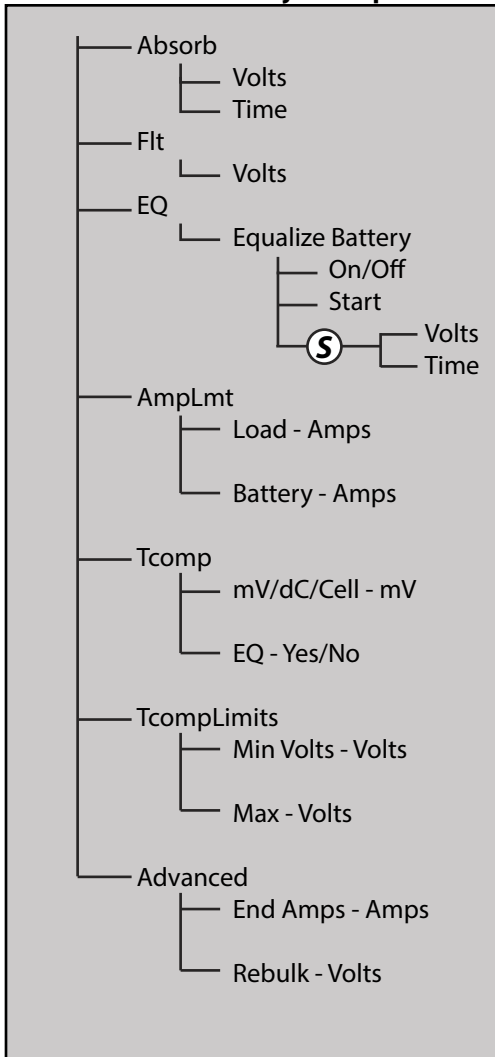


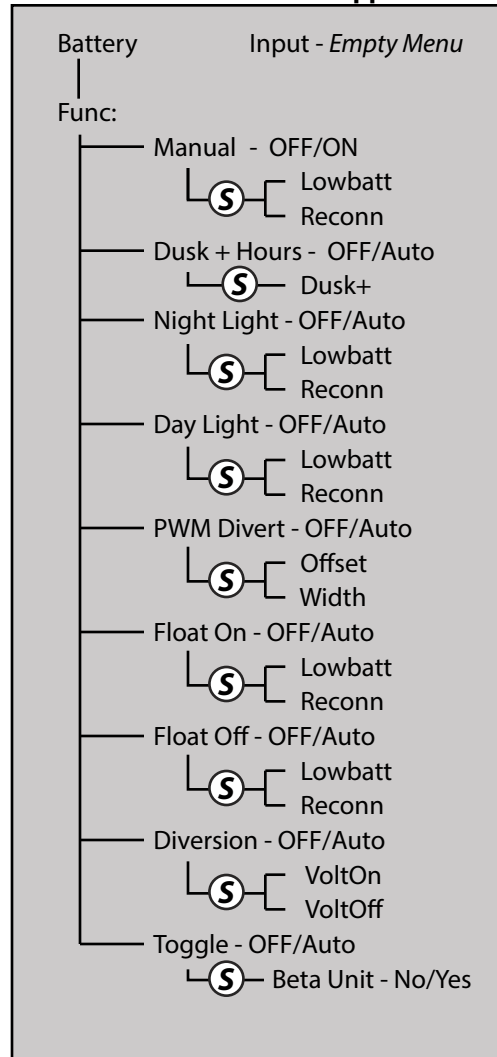
QUICK START SETUP



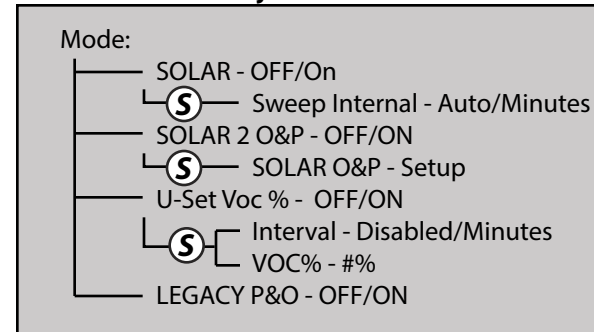
BATTERY MENU - Adjust Setpoints



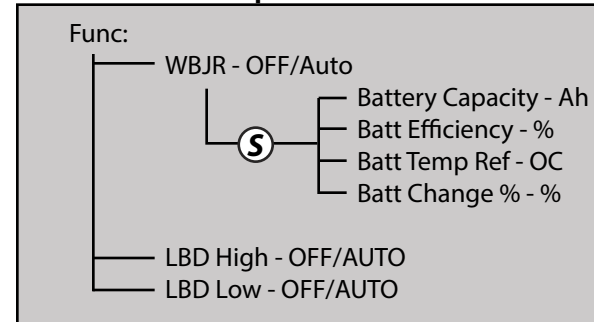
LOAD MENU - Set Load/Clipper



INPUT MENU - Adjust MPPT Mode



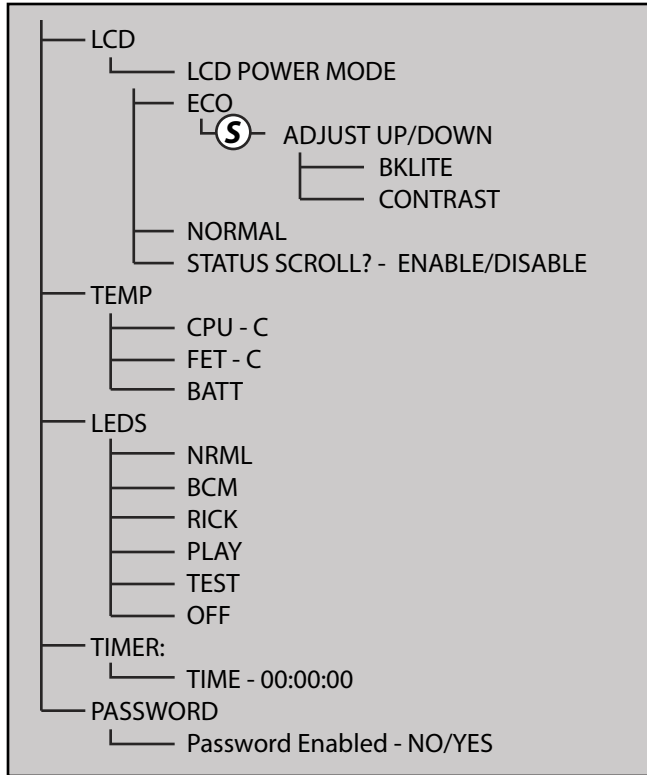
AUX MENU - Setup Aux Func



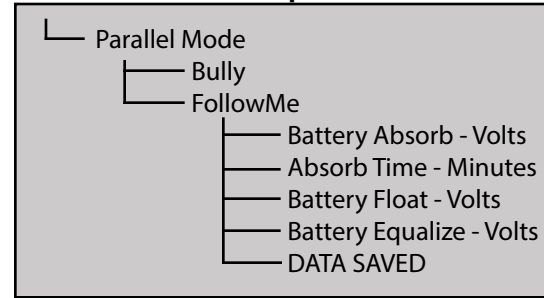
www.midnitesolar.com
17722 - 67th Ave NE, Arlington, WA 98223
PH 360-403-7207 FAX 360-691-6862

Ⓢ Symbolizes the SETUP button being pushed.

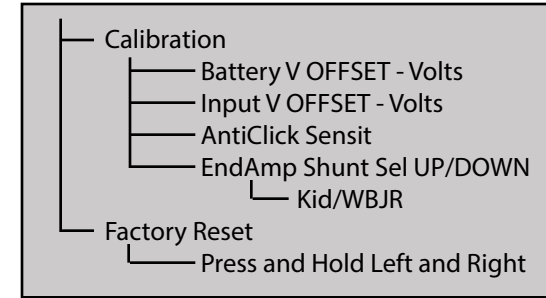
MISC MENU - Other Stuff



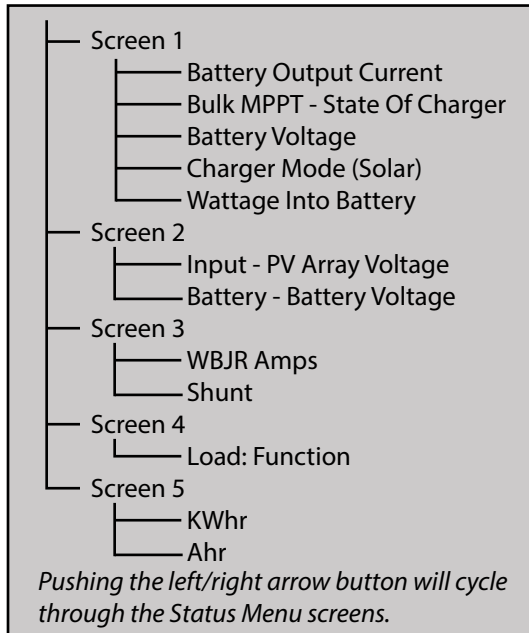
COMM MENU - Multiple Units



TECH MENU - Advanced Menu



STATUS MENU



SETUP

Displays the adjustable parameters of the specific function selected.

SAVE

Saves all the modified functions and parameters.

ENTER

Enters the selected menu item.

STATUS

Displays the current Status of the Kid. Press once to go back to the previous status screen, press twice to go to main status.

MENU/BACK

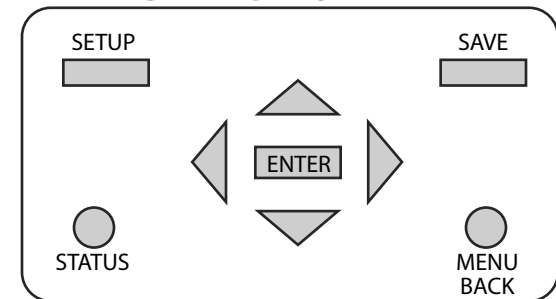
When pressed from Status Menu, it will go to Main Menu. If inside a menu it is used to go back one menu.

UP, DOWN, LEFT & RIGHT ARROWS

Used to navigate the menus, select and modify the functions.

 Symbolizes the SETUP button being pushed.

KID NAVIGATION PANEL



www.midnitesolar.com
17722 - 67th Ave NE, Arlington, WA 98223
PH 360-403-7207 FAX 360-691-6862

