

MNBABYBOX Instructions



The Baby Box is a small general purpose enclosure and may be used with up to four poles of MidNite’s MNEAC or MNEPV breakers.

Installation:

Select a safe dry indoor or sheltered location and secure to the wall with appropriate screws or wall anchors.

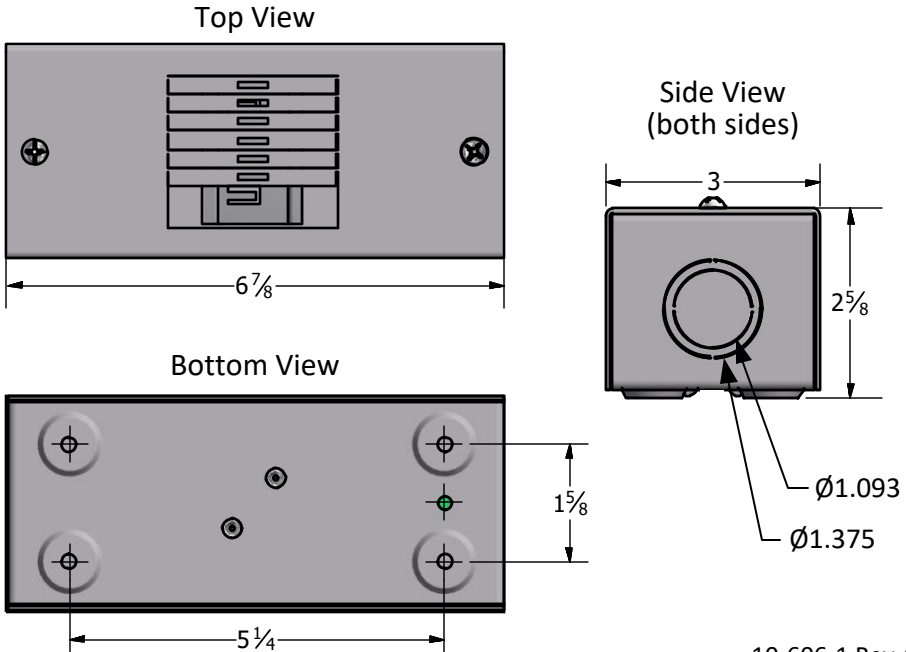
Midnite Solar breakers are available from many distributors and dealers. Breaker models such as MNEPV20-300-1PP; where PV indicates it is a DC breaker, 20 indicates it is 20 amps, 300 indicates a max voltage rating of 300 volts. Other Midnite breakers and GFP’s (Ground Fault Protectors) are available from your dealer.

Use breakers rated for a max of 600 VDC or 277 VAC.

Wiring:

It is the installer’s responsibility to ensure compliance with the National Electrical Code, ANSI/NFPA 70 and all applicable local codes. A ground screw is provided for grounding of the enclosure. The Baby Box is designed for up to #6 AWG wire. Use of larger wire will reduce the required bending room allowance. Knockouts are provided on each side of the Baby Box. You will need a hammer, screwdriver and needle nose pliers to remove knockouts.

Dimensions:



Assembly:

