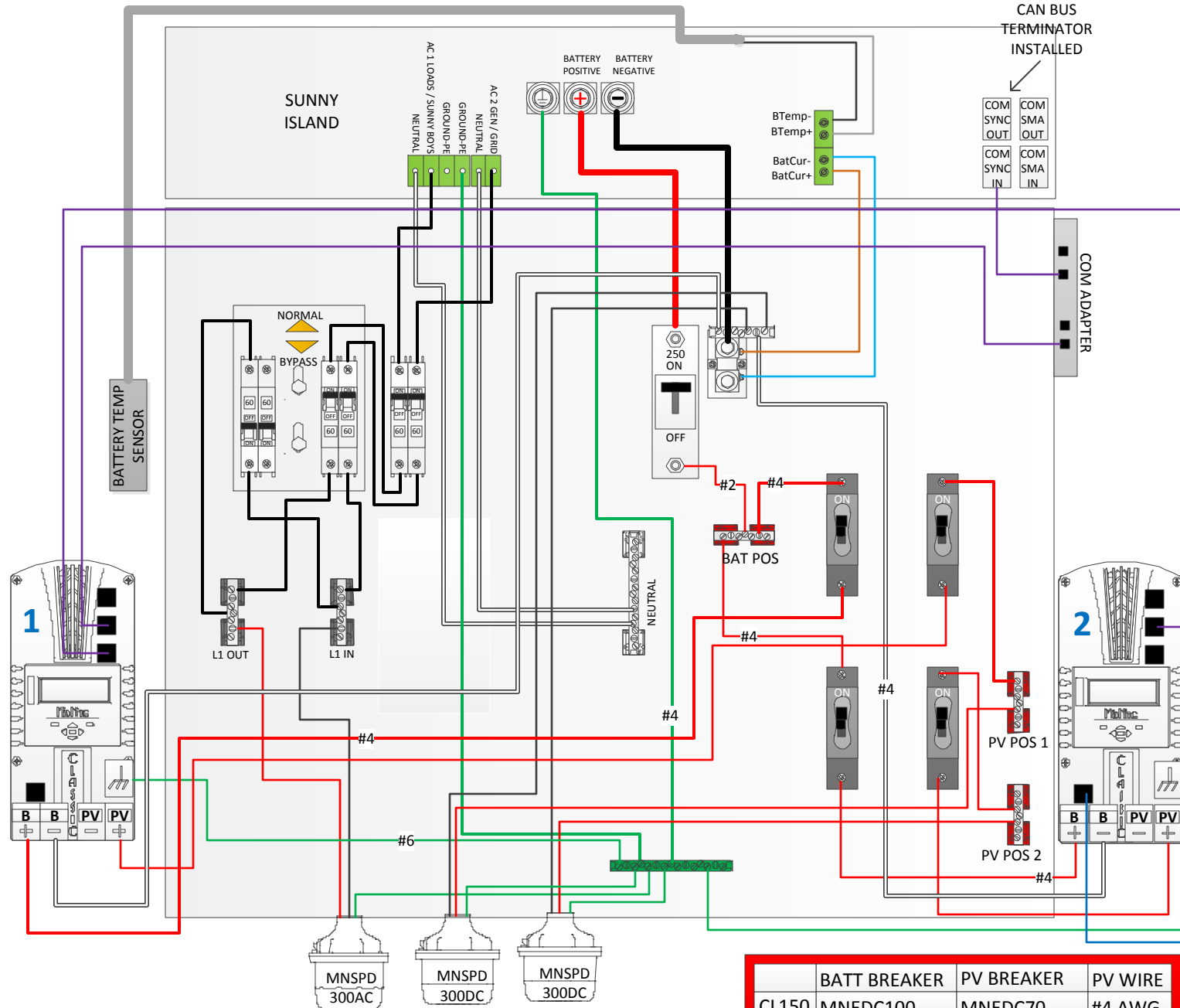


SMA SUNNY ISLAND 120VAC OUT WITH 2 CLASSIC

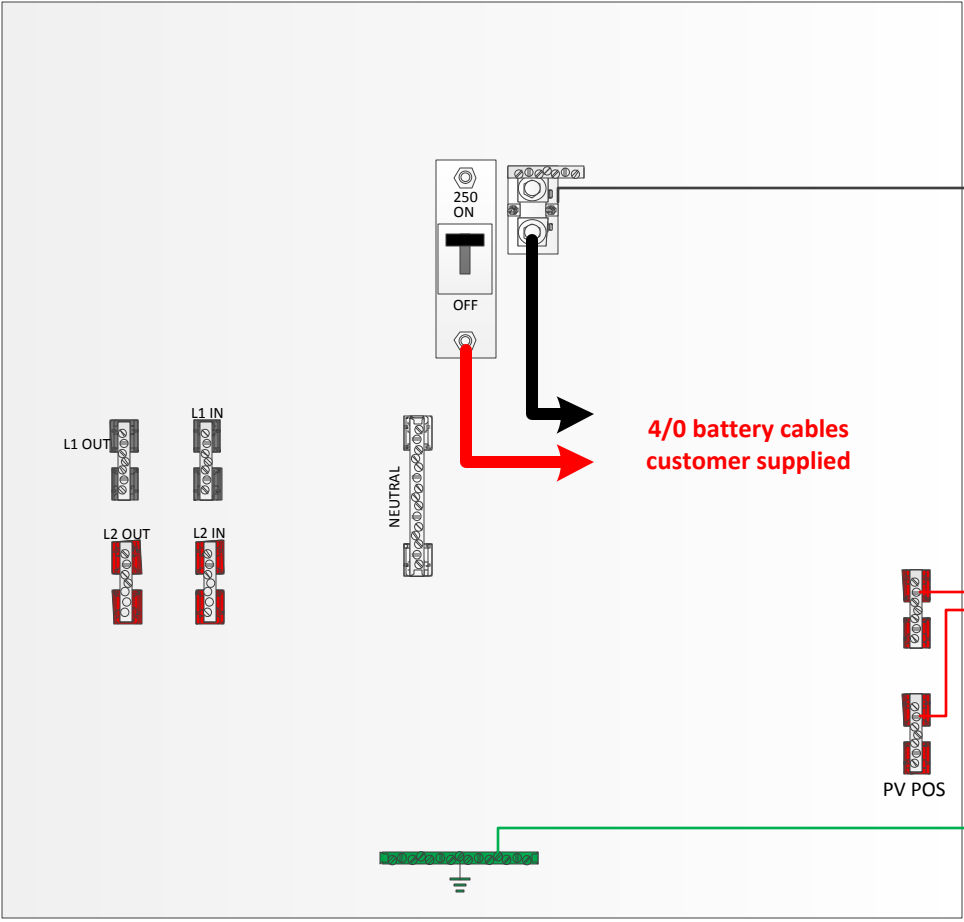
Wiring done by MidNite



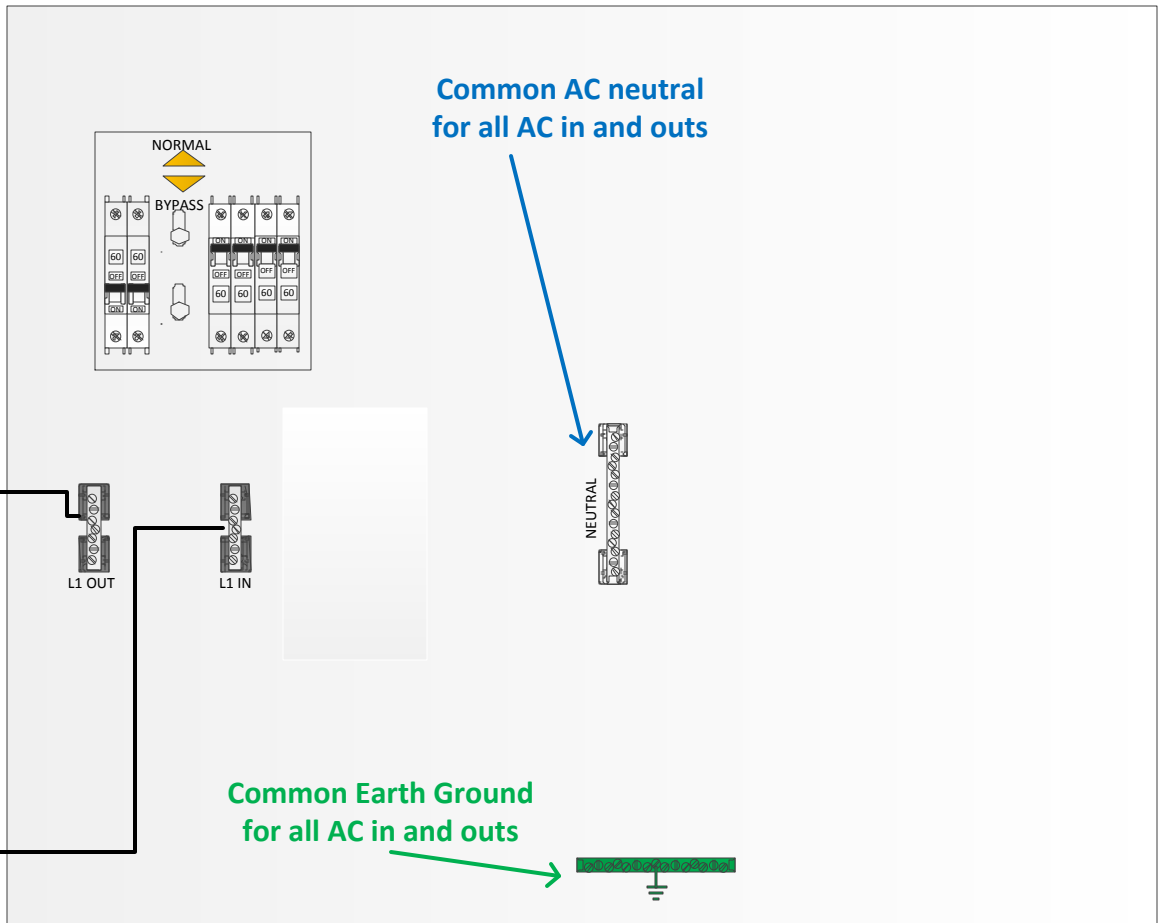
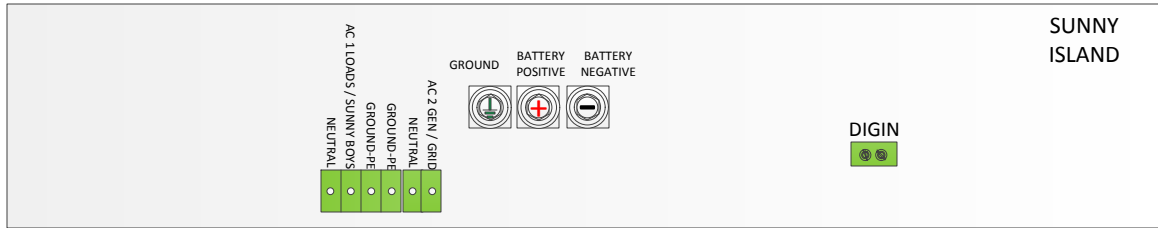
UNLESS OTHERWISE MARKED, ALL INTERNAL WIRING TO BE #6 COPPER THHN
ALL INTERNAL BREAKERS HAVE BEEN CERTIFIED BY MANUFACTURER FOR 100% NAMEPLATE RATING IN THIS APPLICATION
NO ADDITIONAL DE RATING IS NECESSARY

	BATT BREAKER	PV BREAKER	PV WIRE
CL150	MNEDC100	MNEDC70	#4 AWG
CL200	MNEDC80	MNEDC60-300	#6 AWG
CL250	MNEDC70	MNEDC60-300	#6 AWG

DC Wiring by Customer



AC Wiring done by Customer



AC L1 Hot out to Critical Loads panel

AC L1 Hot in from Utility or Generator Transfer switch